

Age Range: 3-7 Yrs.
 Weight Limit: 65 Lbs.
 Surfaces: Hard and Grass
 Speed: Forward 2.5 & 5.0 MPH
 Reverse 2.5 MPH
 Colors: Purple Body
 Yellow & Red Roll Cage
 Black Tires
 Intro: 4-15-98
 Suggested Retail: \$239.99
 Box Dimensions: 38.75" x 21" x 24.6"
 In-Box Weight: 46 Lbs.
 Warranty: 1 year bumper to bumper

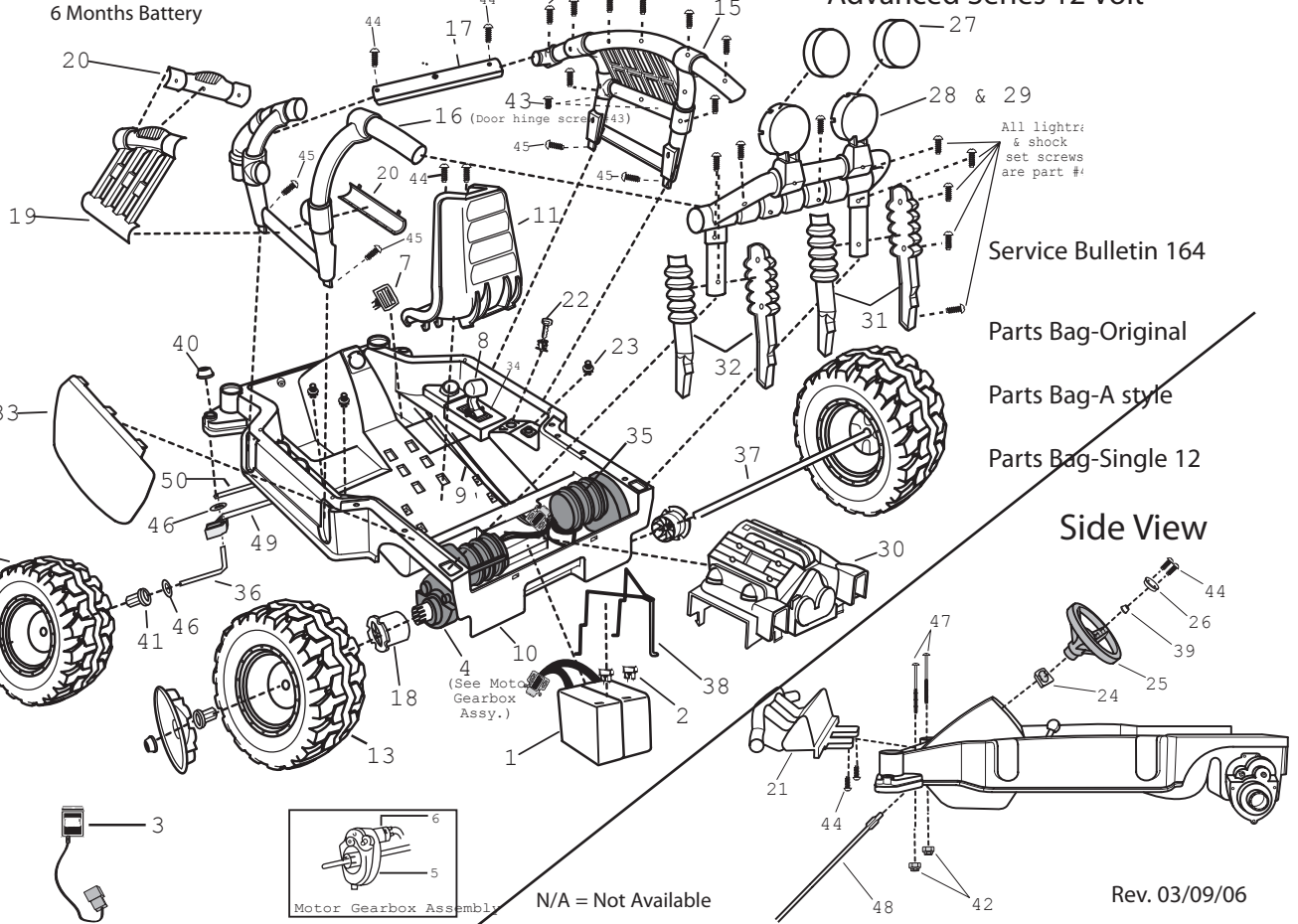


This product is affected by the PW recall announced Oct 1998. Please confirm that the product is modified or remediated in accordance with policy.

74790-9993

X-treme Machine

Advanced Series 12 Volt



Item No.	Description	Part No.	Qty.	Item No.	Description	Part No.	Qty.	Item No.	Description	Part No.	Qty.
Working / Electrical Parts											
1	*Battery (Super 6 v)	00801-0712	2	19	Door	74790-2179	1	42	**1/4" Nyloc Nut N/A	0801-0568	2
	*Battery (Single 12 v)	00801-0638	1	20	Door Handle / Hinge Set N/A	74790-2999	1	43	#8 x 1/2" Screw	0801-0202	2
2	Thermal Fuse	0801-0711	2	21	Brushguard N/A	74790-2129	1	44	#8 x 3/4" Screw	0801-0223	50
3	*12 Volt Charger (Super 6 v)	00801-0973	1	22	Key Assembly N/A	74550-2439	1	(10 of the 3/4" Screws are factory assembled)			
	*12 Volt Charger (Single 12 v)	00801-0972	1	23	Radio Knob	74550-2719	3	45	#8 x 1-1/2" Plascrow	0801-0308	4
4	#7 Motor GearBox Assy.	00968-2910	2	24	Steering Column Collar	74790-2339	1	46	7/16" (Large) Washer	0801-0196	4
5	#7 Gearbox	74310-9529	2	25	Steering Wheel	74790-2319	1	47	**1/4"-20 x 2-3/4" Bolt N/A	0801-0571	2
6	Motor w/Pinion	00968-2701	2	26	Steering Wheel Cap	74790-2329	1	48	Steering Column N/A	74790-9239	1
7	Footboard Assembly	73180-9389	1	27	Light Cover	74790-2169	2	49	Steering Linkage	74790-9219	1
8	Shifter Assembly	74310-9239	1	28	Front Light Bar (w/Rear Bar)	74790-9189	1	50	Steering Linkage Crossbar	74790-4229	1
9	Wiring Harness (H Style N/A)	74790-9799	1	29	Rear Light Bar w/Front Bar	74790-9189	1	Parts Not Shown			
	Wiring Harness (A Style)	74790-9899	1	30	Decorative Engine	74790-211A	1		*Literature Bag N/A	74790-9019	1
Plastic Parts				31	Right Shock Set (2 pcs ea Set)	74790-9539	1		*Owner's Manual	74790-0920	1
10	Vehicle Body (N/A)	74790-2109	1	32	Left Shock Set (2 pcs. ea. Set)	74790-9519	1		3 Language Owner's Man N/A	74799-0824	1
11	Seat	74790-2309	1	33	Fender Set	74790-9029	1		*Large Parts Bag 1	74790-9249	1
12	Front Wheel	74790-2469	2	34	Harness/Shifter Cover	74790-2299	1		*Large Parts Bag 2 N/A	74790-9269	1
13	Rear Wheel	74790-2459	2	35	Motor Cover	74750-2359	2		*Small Parts Bag N/A	74790-9259	1
14	Hubcap	74790-2479	4	Hardware							
15	Rollcage Right (w/o Screws N/A)	74790-9069A	1	36	Front Axle	74790-4509	2		Decal Sheet	74790-0310	1
16	Rollcage / Left (w/o Screws)	73180-9049A	1	37	Rear Axle (length 32") N/A	74790-4519	1		Channel Cover (Front) N/A	74790-2279	1
17	Rollcage Crossbar N/A	74790-9559	1	38	*Battery Retainer	74790-4019	1		Channel Cover (Rear) N/A	74790-2289	1
18	Driver	74460-2249	2	39	.354 Cap Nut (Black)	0801-0604	1		Footswitch	00801-0933	1
				40	.437 Cap Nut (Black)	0801-0226	6		Switch Control (Shifter) (Rocker Type)	00801-0923	1
				41	Hex Bushing	73233-2559	6		Hi-Speed Lock Out Screw	0801-0254	1

*Service Bulletin 164
 ** N/A Separately. Must order Small Parts Bag 74790-9259.

Bold and Underlined parts are to be purchased and installed by Service Centers only. These items may not be sold directly to consumers by Service Centers or Fisher-Price.

